

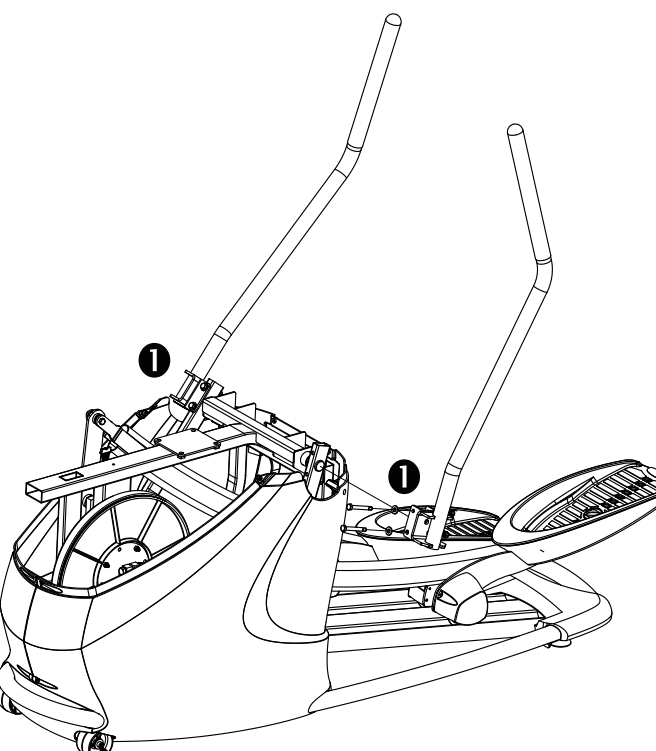


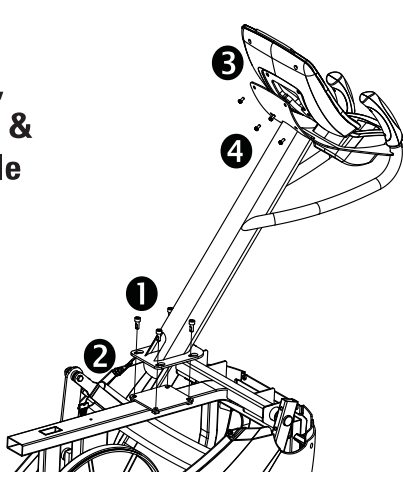
Base Box		Base Hardware		Q35x Console Box	
<ul style="list-style-type: none"> <li>Base</li> <li>Access Panel</li> <li>Mast Boot</li> <li>Top Shroud</li> </ul>	<ul style="list-style-type: none"> <li>Console Mast</li> <li>Moving Handlebars (L and R)</li> <li>Handlebar Covers (2)</li> </ul>	<ul style="list-style-type: none"> <li>B-1 (4)</li> <li>B-2 (8)</li> <li>B-3 (1)</li> <li>B-4 (4)</li> <li>B-5 (4)</li> <li>B-6 (4)</li> </ul>	<ul style="list-style-type: none"> <li>Console and Keypad</li> <li>Information Packet</li> </ul>	<ul style="list-style-type: none"> <li>Power Supply</li> <li>Console Hardware C-1 (4)</li> </ul>	 

### A Moving Handlebars



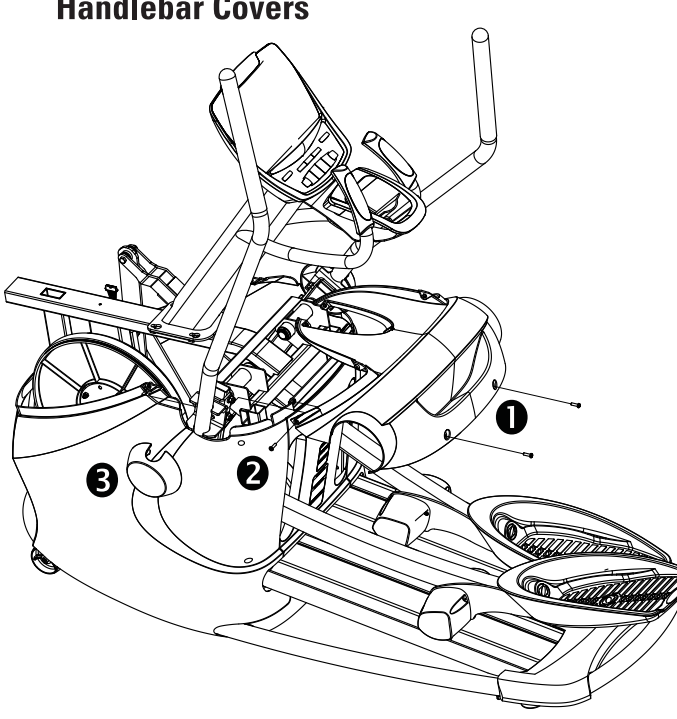
- Attach handlebar at hub with B-6 (Qty 2), and B-2 (Qty 4) between bolt and both sides of bracket; secure with B-5 (Qty 2); tighten (20 ft-lb).

### B Mast, Keypad & Console



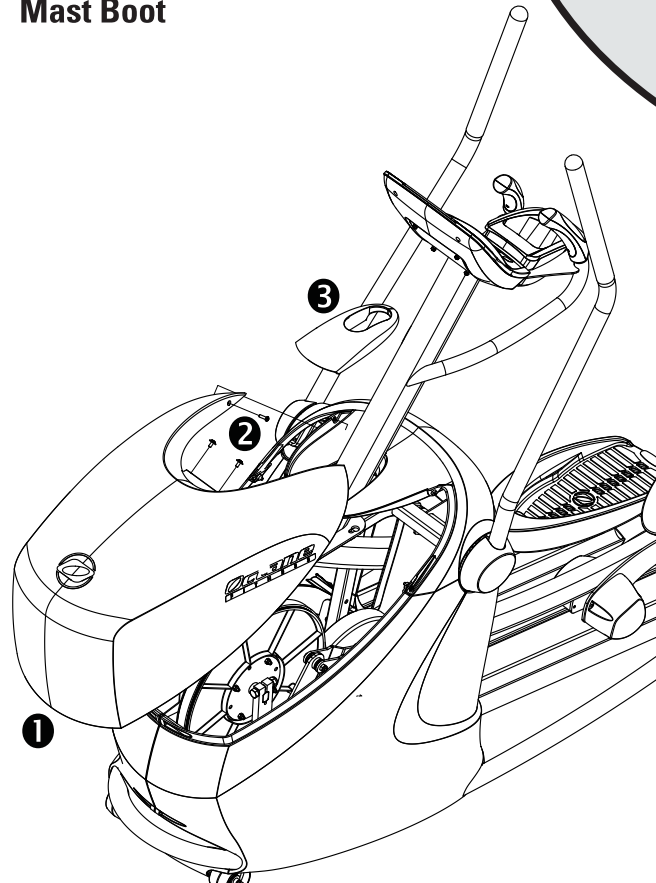
- Slide mast over screws on base; tighten.
- Connect cable connectors (mast to base); secure loose cables to frame with B-3.
- Connect heart rate cable to heart rate board on console back. Match keypad and main cable connectors to sockets on console back; connect (2).
- Attach console/keypad to mast with C-1 (Qty 4).

### C Access Panel & Handlebar Covers

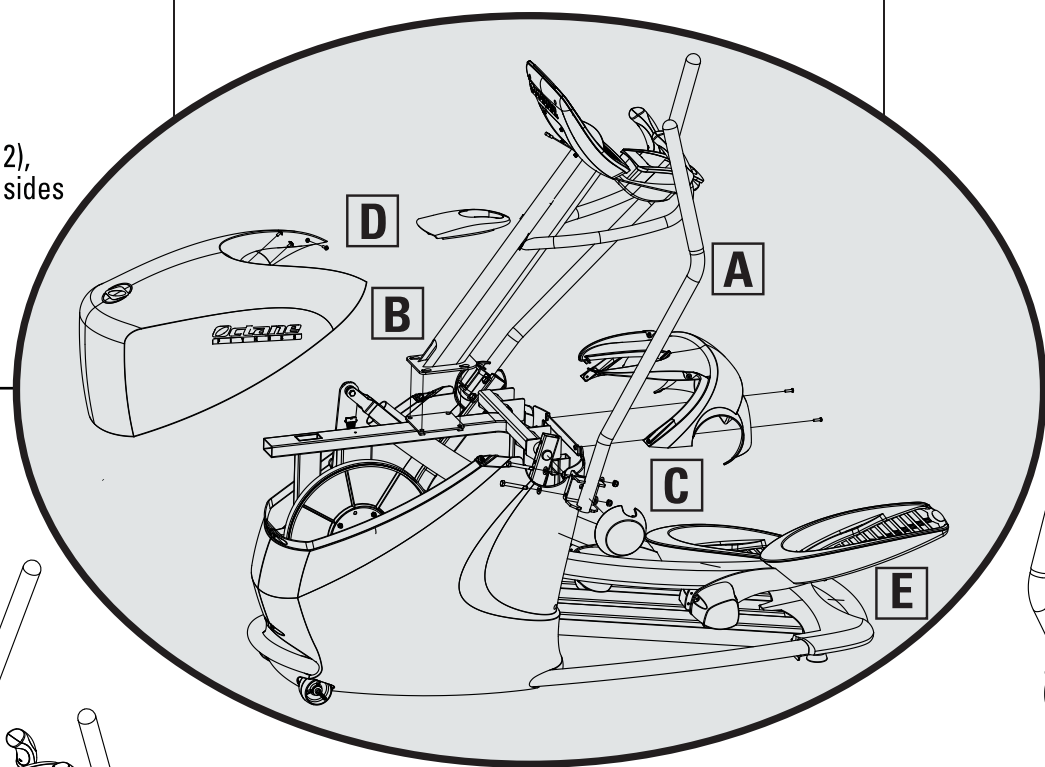


- Secure back of panel with B-1 (Qty 2).
- Secure sides of panel with B-1 (Qty 2).
- Place handlebar covers.

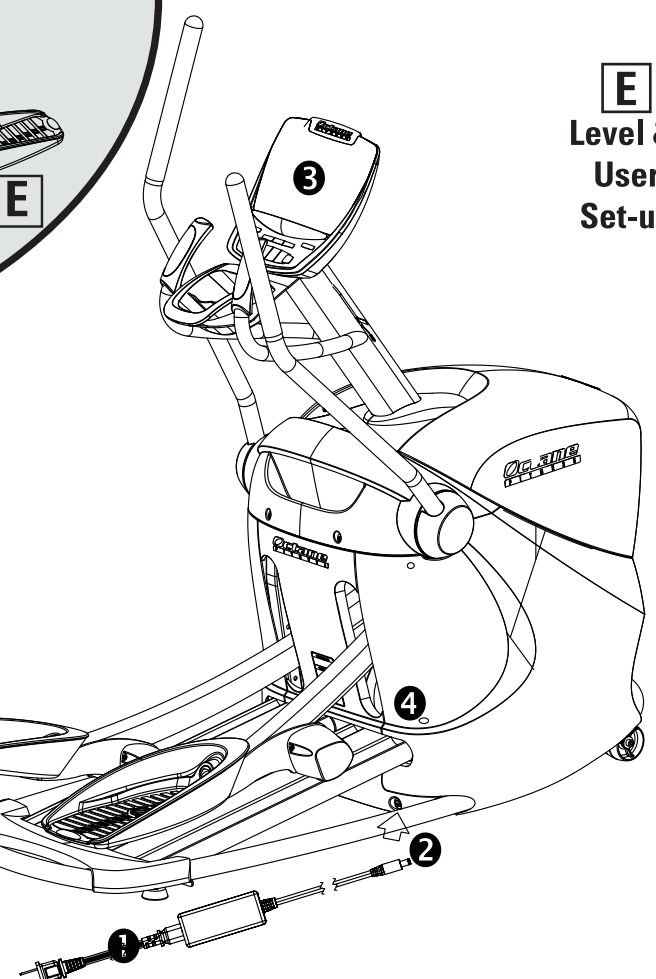
### D Top Shroud & Mast Boot



- Holding bottom edge in place, hinge top shroud down.
- Attach top shroud with B-4 (Qty 4).
- Wrap mast boot around mast; tuck into access panel.



### E Level & User Set-up



- Adjust and lock levelers; **make sure nut is tight.**
- Connect power supply to unit and to power outlet.
- Complete User Set-up (press & hold Level (▲/▼) — Instructions in Operations Manual).
- Before 1st use and as needed, clean tracks with a cloth and mild soap and water.